



GRAND-DUCHÉ DE LUXEMBOURG

Ministère du Développement durable
et des Infrastructures
Département des Transports

L-2938 Luxembourg

SOCIÉTÉ NATIONALE DE
CERTIFICATION ET D'HOMOLOGATION

s.à r.l.

Registre de Commerce: B 27180



L-5201 Sandweiler

Référence: E13*65R00*65R00*0042*00

Annexes: - Rapport technique
- Fiche de renseignements du constructeur

Sandweiler, le 17 février 2014

COMMUNICATION



concernant 2/: - **HOMOLOGATION ACCORDEE**
concerning 2/: APPROVAL GRANTED
- **HOMOLOGATION ETENDUE**
APPROVAL EXTENDED
- **HOMOLOGATION REFUSEE**
APPROVAL REFUSED
- **HOMOLOGATION RETIREE**
APPROVAL WITHDRAWN
- **ARRET DEFINITIF DE LA PRODUCTION**
PRODUCTION DEFINITELY DISCONTINUED

d'un type de feu spécial d'avertissement pour automobiles, application du Règlement N° 65
of a type of special warning lamp for motor vehicles, pursuant to Regulation N° 65

Numéro d'homologation: E13*65R00*65R00*0042*00
Approval number:

Marque d'homologation: refer to the manufacturer's information document
Approval mark:

- Feu spécial d'avertissement / ~~tournant~~ / à éclat stationnaire / à éclat directionnel / rampe complète / de couleur bleue / de couleur jaune auto 2/:**
stationary flashing lamp / blue
Special warning lamp / ~~rotating~~ / stationary flashing lamp / ~~directional flashing lamp~~ / complete bar / blue / ~~amber~~ 2/:
Type: C12-B
- Le feu spécial d'avertissement a un / ~~deux~~ niveau(x) d'intensité 2/:**
one level of intensity
Le feu spécial d'avertissement est composé de ... unité distinctes.
Special warning lamp has one / ~~two~~ level(s) of intensity 2/:
Special warning lamp consist of ... separate units.
consists of 1 separate unit
- Pour les feux spéciaux d'avertissement ayant deux niveaux d'intensité, système employé pour obtenir une intensité renforcée de jour:**
not applicable / ~~current limitation during night time run~~
For special warning lamps having two levels of intensity, indicate the system used to obtain increased intensity at day-time:

4. **Source lumineuse utilisée,**
Used light source,
- Catégorie de lampe à incandescence .. ou** No
Category of filament lamp or
- Source lumineuse à décharge ---** No
oui / non 2/ -- ou
Gas discharge light source **yes / no 2/ or**
- Source lumineuse à DEL oui / non 2/ -- ou** Yes
LED yes / ~~no~~ 2/ or
- Module d'éclairage : oui / non 2/** No
Light source module: **yes / no 2/**
- Code d'identification spécifique du module d'éclairage:** not applicable
Light source module specific identification code:
5. **Tension nominale de feu spécial d'avertissement;** 12V
Rated voltage of special warning lamp:
6. **Marque ou désignation commerciale:** 911SIGNAL
Trade name or mark:
7. **Nom et adresse du fabricant:** Ningbo Yinzhou Self Photoelectron Technology Co., Ltd.
Manufacturer's name and address: Leehua Bridge Village, Zhonggong joss house street, Yinzhou Center Area, Ningbo City, P.R. China
8. **Le cas échéant, nom et adresse du représentant du fabricant:** not applicable
If applicable, name and address of the manufacturer's representative:
9. **Présenté à l'homologation le:** 09. to 14.01.2014
Submitted for approval on:
10. **Autorité déléguée:** *Société Nationale de Certification et d'Homologation*
Assigned authority: L-5201 Sandweiler
- Service technique chargé des essais d'homologation:** Luxcontrol SA
Technical service responsible for approval tests: B.P. 349 L-4004 Esch-sur-Alzette
11. **Date du procès-verbal délivré par ce service:** 11.02.2014
Date of test report issued by that service:
12. **Numéro du procès-verbal délivré par ce service:** LCA 51 0815 002 14
Number of test report issued by that service:

13. **L'homologation est 2/:** accordée / refusée / étendue / retirée
Approval 2/: granted / refused / extended / withdrawn
14. **Motif(s) de l'extension (le cas échéant):** not applicable
Reason(s) of extension (if applicable):
15. **Lieu:** Sandweiler
Place:
16. **Date:** 17 février 2014
Date:
17. **Signature:**
Signature:

Pour le Département des Transports



Marco FELTES
Inspecteur Principal 1^{er} en rang

Pour la SNCH



Claude LIESCH
Directeur



18. **On trouvera en annexe à la présente communication, la liste des pièces constituant le dossier d'homologation déposé auprès du Service administratif qui a accordé l'homologation: ces pièces peuvent être obtenus sur demande:**
The list of documents filed with the administration service which has granted approval and available on request is annexed to this communication:

voir "INDEX DU DOSSIER D'HOMOLOGATION" ci-joint /
see "INDEX TO TYPE-APPROVAL REPORT"

2/ Biffer les mentions qui ne conviennent pas/ Strike out what does not apply



GRAND-DUCHÉ DE LUXEMBOURG

Ministère du Développement durable
et des Infrastructures
Département des Transports

L-2938 Luxembourg

SOCIÉTÉ NATIONALE DE
CERTIFICATION ET D'HOMOLOGATION

s.à r.l.

Registre de Commerce: B 27180



L-5201 Sandweiler

Référence: E13*65R00*65R00*0042*00

Annexes: - Rapport technique
- Fiche de renseignements du constructeur

Sandweiler, le 17 février 2014

Index du dossier d'homologation

Index to type-approval report

	Numéro d'homologation: Approval number:	E13*65R00*65R00*0042*00
	Révision: Revision:	00
	Marque de fabrication ou de commerce: Trade name or mark:	911 SIGNAL
	Type: Type:	C12-B
1.	Procès-verbal d'essai: Test report:	N° LCA 51 0815 002 14
	- Technical report:	Pages 1 to 5
	- Index to information package:	Annex A - Page 1
	- Test results:	Annex B - Pages 1, 2
2.	Dossier du constructeur: Report of the manufacturer:	N° 0815 002 14
	- Manufacturer's information document:	Pages 1, 2
	- Photographs of lamp samples:	Page 3
	- Drawings of the lamp:	Pages 4, 5
3.	Autres documents annexés: Other documents annexed:	not applicable
4.	Date de délivrance de l'homologation initiale: Date of issue of initial type approval:	17.02.2014
5.	Date de la dernière délivrance de pages révisées: Date of last issue of revised pages:	not applicable
6.	Date de la dernière délivrance d'une homologation révisée: Date of last extension:	not applicable

TECHNICAL REPORT

No.: LCA 51 0815 002 14

Inspection concerning the
Special warning lights for motor vehicles

performed according to

ECE-Regulation No. 65

Type: **C12-B**

Manufacturer: **Ningbo Yinzhou Self Photoelectron
Technology Co., Ltd.
Leehua Bridge Village, Zhonggong joss
house street, Yinzhou Center Area,
Ningbo City, P.R. China**

Index:

1. General		2
2. Inspections and their results	E13*65R00*65R00*0042*00 Société Nationale de Certification et d'Homologation	3
3. Evaluation of test results	L-5201 SANDWEILER (Luxembourg) Organisme accrédité OLAS EN 45011	4
4. Statement of compliance	Accréditation N° 5/001 (Portée communiquée sur demande)	5
Annex (beginning with an index)		

A reproduction of this report and its annexes, except in full, is prohibited without the written permission of Luxcontrol s.a.

...



1. **General**

1.1. **Test Provisions**

The inspection was carried out according to the requirements of the ECE-Regulation No. 65, including Supplement 8 to the 00 series of amendments which entered into force on November 18, 2012.

1.2. **Information concerning the device and the requested approval**

The statements below apply to the previous ECE type-approval as referred to on page 1.

1.2.1. **[] Numbering according to the communication concerning the approval following ECE-R65.**

[1.] Special warning lamp / ~~rotating~~ / **stationary flashing lamp** / ~~directional flashing lamp~~ / ~~complete bar~~ / ~~half bar~~ / **blue** / ~~amber~~ / ~~red~~

Type: C12-B

[2.] Special warning lamp has **one** / ~~two~~ level(s) of intensity:

Special warning lamp consists of **1** separate unit(s).

[3.] For special warning lamps having two levels of intensity, indicate the system used to obtain increased intensity at day-time:

Not applicable

[4.] Used light-source,

- category of filament lamp: **no**

- gas discharge light source **yes** / **no** or

- LED **yes** / ~~no~~ or

Light source module: **yes** / **no**

Light source module specific identification code: **not applicable**

[5.] Rated voltage of special warning lamp:

12V

[6.] Trade name or mark: **911SIGNAL**

...



[7.] Manufacturer's name and address:

**Ningbo Yinzhou Self Photoelectron Technology Co., Ltd.
Leehua Bridge Village, Zhonggong joss house street, Yinzhou Center
Area, Ningbo City, P.R. China**

[8.] If applicable, name and address of manufacturer's authorized representative:

Not applicable

[9.] Submitted for approval on:

9.01.2014 - 14.01.2014

[14.] Reason(s) for extension:

Not applicable

2. Inspections and their results

2.1. Version of the tested ~~vehicle~~ / ~~technical unit~~ / component

Following samples have been used for testing:

- 2 samples with blue light and 12V voltage

2.2. Inspection items

	Location of test:	Date of receipt of test item:	Date of test:	Inspector:
Main report	See item [7.]	9.1.2014	9.01.2014 - 14.01.2014	Arthur Chang

2.2.1. Markings:

The trademark is marked clearly legible and indelible on the device.

The rated voltage and the category of the light source are clearly and indelible marked on the lamp, as shown in Annex C.

Space for the approval mark and additional symbols is provided on the device, which is permanently connected to the base of the device.

2.2.2. General specifications

Requirements with voltage higher than 50 V: **not applicable.**

After mounting of the device, no maladjustment is possible.

...



Requirements for frequency on-time and off-time:

See Annex B.

2.2.3. Photometric specifications

The light distribution angles and levels of intensity have been measured in accordance with Annex 5 of the Regulation.

See Annex B

2.2.4. Colour

See Annex B

2.2.5. Rain Test

See Annex B

2.3. Explanatory note

2.3.1. General

Inspection results are only applicable to the ~~vehicle~~ / ~~technical unit~~ / components which have been tested.

2.4. Test facilities

Calibration of measuring and test equipment used to carry out the inspections is in accordance with the EEC-Directive and/or ECE-Regulation stated in 1.1 of this report and with ISO 17025.

3. Evaluation of test results

3.1. Variants and equipment covered

The tests carried out cover the following variations:

- Not applicable

3.2. Remarks

3.2.1. Main report:

Not applicable.

...



4. **Statement of compliance**

The inspections and measurements carried out have shown the compliance of the device described in this report and the attached Annex with the requirements of the ECE-Regulation No. 65, including supplement 8 to the 00 series of amendments which entered into force on November 18, 2012.

Esch/Alzette, February 11, 2014

Luxcontrol s.a.
Service Homologation-automobile

David Durazzi
Ingénieur-Inspecteur

Mauro Moscardelli
Ingénieur-Inspecteur

Annex



Index to the information package, including a summary in chronological order, concerning extensions and/or amendments

ECE type-approval No.:

Main Report

Technical Report No.: LCA 51 0815 002 14 Page 1 to 5

Composition of the Annex:

A: Index	Page 1
B: Test results	Page 1 to 2
C: Information folder	Page 1 to 5

Index to the information folder:

- manufacturer's information document (page 1 and 2)
 - photographs of lamp samples (page 3)
 - technical drawings of lamp (page 4 to 5)
-



Photometric specifications

Record No.	14-0013	Approval No.	0042
Requirement	ECE R65 Clause 6 Annex 5	Function	Special warning lamp
Subject	C12-B	Date	14 January 2014

Min

Test Point	minimum (cd)	Sample. 1		Sample. 2		Result	max
		1 min	30 mins	1 min	30 mins		
H V	50	90.00	84.23	85.16	81.59	T T	700
2U V	-	103.94	97.28	100.64	96.42	T T	600
2D V	-	57.13	53.47	60.61	58.07	T T	600
4U V	25	105.22	98.47	99.08	94.93	T T	700
4D V	25	76.11	71.23	75.06	71.91	T T	700
8U V	-	80.54	75.38	72.26	69.23	T T	600
8D V	-	19.93	18.65	18.99	18.19	T T	600
Outside the above areas	-	70.02	65.53	60.17	57.65	T T	300

Max

Test Point	minimum (cd)	Sample. 1		Sample. 2		Result	max
		1 min	30 mins	1 min	30 mins		
H V	50	92.43	90.53	91.71	86.00	T T	700
2U V	-	101.23	99.15	107.49	100.80	T T	600
2D V	-	57.06	55.89	61.77	57.92	T T	600
4U V	25	102.68	100.57	104.31	97.82	T T	700
4D V	25	75.93	74.37	82.08	76.97	T T	700
8U V	-	78.62	77.00	78.27	73.40	T T	600
8D V	-	20.52	20.10	22.48	21.08	T T	600
Outside the above areas	-	66.86	65.49	65.57	61.49	T T	300



Requirements for frequency on-time and off-time

Record No.	14-0013	Approval No.	0042
Requirement	ECE R65 Clause 7 Annex 3	Function	Special warning lamp
Subject	C12-B	Date	14 January 2014

Colour: Blue				
Rotating system or flash light sources			category : IB1	
			Vaule	Result
Frequency f (Hz)	max	4	2.198	T
	min	2		
ON time t_H (s)	max	0.4/f	0.180	T
OFF time t_D (s)	min	0.1	0.275	T

Rated voltage: 12V

Temperature	Frequency at 90% of rated voltage	Frequency at 100% of rated voltage	Frequency at 115% of rated voltage
+23.5°C	2.196	2.198	2.193
-20°C	2.183	-	-
+50°C	2.189	-	-

Colour

Requirement		Measurement		
Blue	color of light emitted	test point	Sample. 1 (LH)	Sample. 2 (RH)
		x=	0.1432	0.1388
	Trichromatic Co-ordinates	y=	0.0578	0.0589
Limit toward green :	$x=0.133+0.6y$	=	T	T
Limit toward red :	$y=0.065+0.805x$	=	T	T
Limit towards white :	$y=0.400-x$	=	T	T

Rain Test



C12-B During the Rain Test



C12-B after rain test

No Water Accumulated After The Rain Test

Ningbo Yinzhou Self Photoelectron Technology Co., I

Leehua Bridge Village, Zhonggong joss house street, Yinzhou Center Area,
Ningbo City,
P.R China

TEL: 86-574-88325181

FAX: 86-574-88325182

MODEL INFORMATION DOCUMENT NO. 14-0013

ECE

APPLICATION DOCUMENTS

Device Name: C12-B

Initial Application

Date: 8 January 2014

Manufacturer: Ningbo Yinzhou Self Photoelectron Technology Co., Ltd.

Address: Leehua Bridge Village, Zhonggong joss house street, Yinzhou Center Area,
Ningbo City, P.R China

I. SPECIFICATION DATE

1. FUNCTION, APPLICABLE REGULATION, LAMP & COLOUR:

TRADE MARK	911SIGNAL		
FUNCTION	ECE APPLICABLE REGULATION	TYPE OF FILAMENT BULB	COLOUR OF EMIT
- Special warning lamp	R65.00 Category TB1	non-replaceable light source (12 x LEDs)	Blue

2. Drawing No.: C12-B

3. MAKE: C12-B

Ningbo Yinzhou Self Photoelectron Technology Co., I

Leehua Bridge Village, Zhonggong joss house street, Yinzhou Center Area,
Ningbo City,

P.R China

TEL: 86-574-88325181

FAX: 86-574-88325182

MODEL INFORMATION DOCUMENT NO. 14-0013

II. TECHNICAL DATA

1. CONSTRUCTION AND MATERIAL:

CONSTRUCTION	MATERIAL	REMARKS
Lens	PLASTIC	
Housing	METALLIC	

2. LOCATION OF MARKING

MARKING		LOCATION
Trade mark	911 SIGNAL	On Lens
Lamp designation mark		
- Special warning lamp	LED 12V 29W	On Lens

NOTE:

- Approval marking shall be shown in the attached drawing.
- Only for limited mounting height of equal to or less than 750mm above the ground. N/A
- A signal for activation of the tell-tale shall be produced if any one light source has failed. N/A

Ningbo Yinzhou Self Photoelectron Technology Co., Ltd.

C12-B



Front View



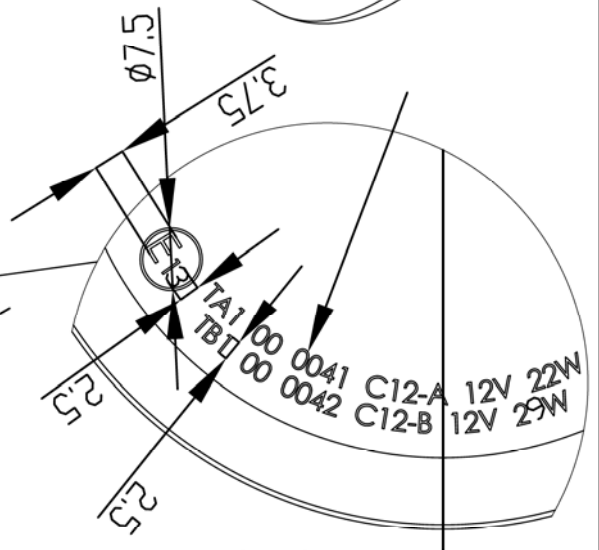
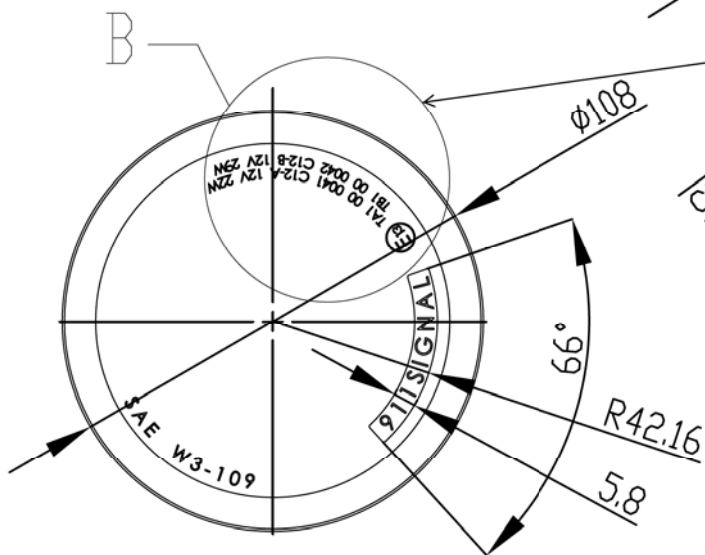
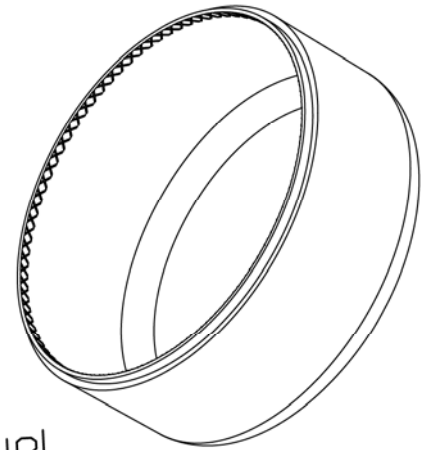
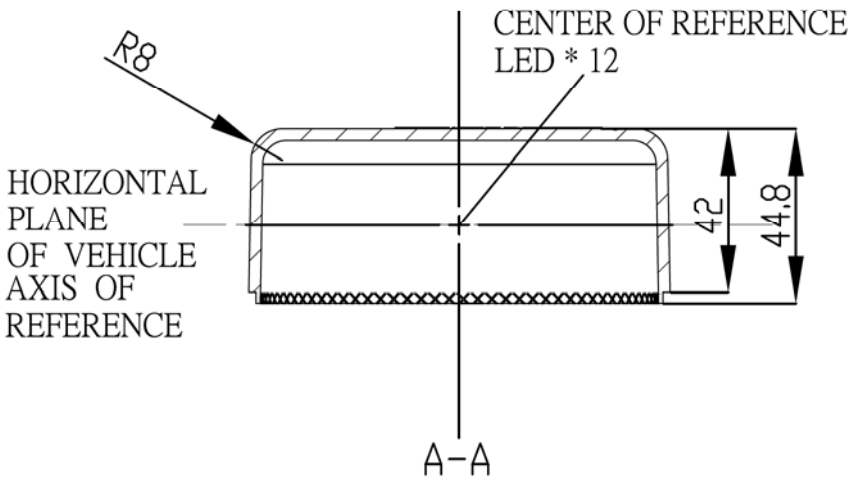
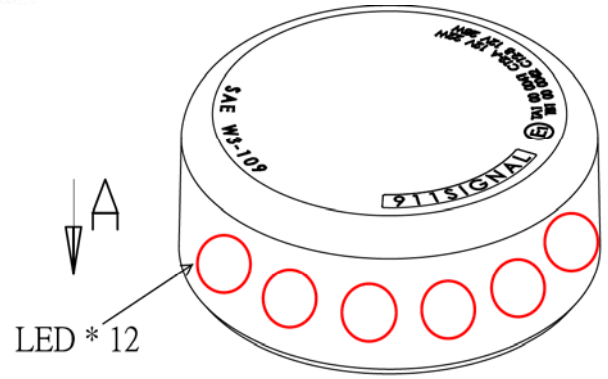
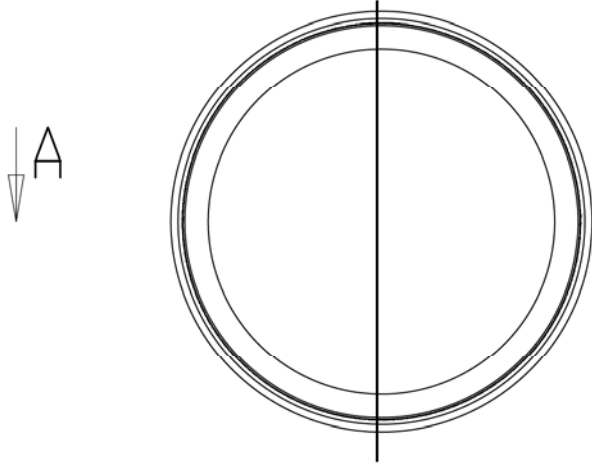
ToP View



Bottom View

E13*65R00*65R00*0042*00
Société Nationale de Certification et d'Homologation
L-5201 SANDWEILER (Luxembourg)
Organisme accrédité OLAS EN 45011
Accréditation N° 5/001 (Portée communiquée sur demande)

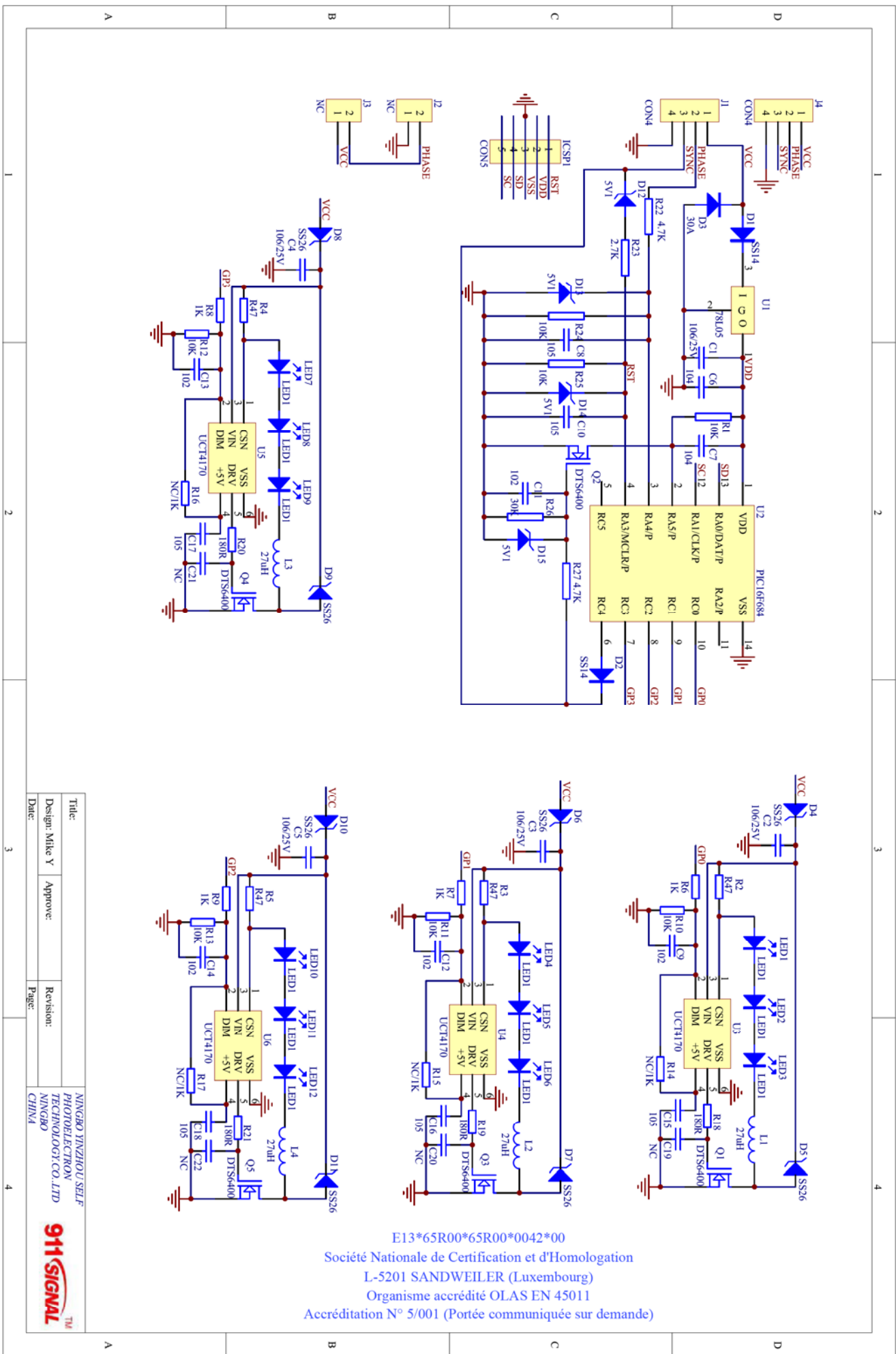
LONGITUDINAL PLANE OF VEHICLE
 AXIS OF REFERENCE



1 : 1
 B
 MARKING

E13*65R00*65R00*0042*00
 Société Nationale de Certification et d'Homologation
 L-5201 SANDWEILER (Luxembourg)
 Organisme accrédité OLAS EN 45011
 Accreditation N° 57001 (Portée communiquée sur demande)

Materials	PMMA			C12-A			911 SIGNAL TECHNOLOGY INC.
				C12-B			
Mark	Signature	Zoning	Signature				
Design	Standardization		Phase marker	Weight	Ratio		
Audit	Technology		1				E13
Approval			Total	Zhang	Section Photo		C12P3



E13*65R00*65R00*0042*00

Société Nationale de Certification et d'Homologation
 L-5201 SANDWEILER (Luxembourg)
 Organisme accrédité OLAS EN 45011
 Accréditation N° 5/001 (Portée communiquée sur demande)

Title:	NINGBO YINZHOU SELF PHOTOELECTRON TECHNOLOGY CO.,LTD		
Design: Mike Y	Approve:	Revision:	NINGBO CHINA
Date:	Page:		

