

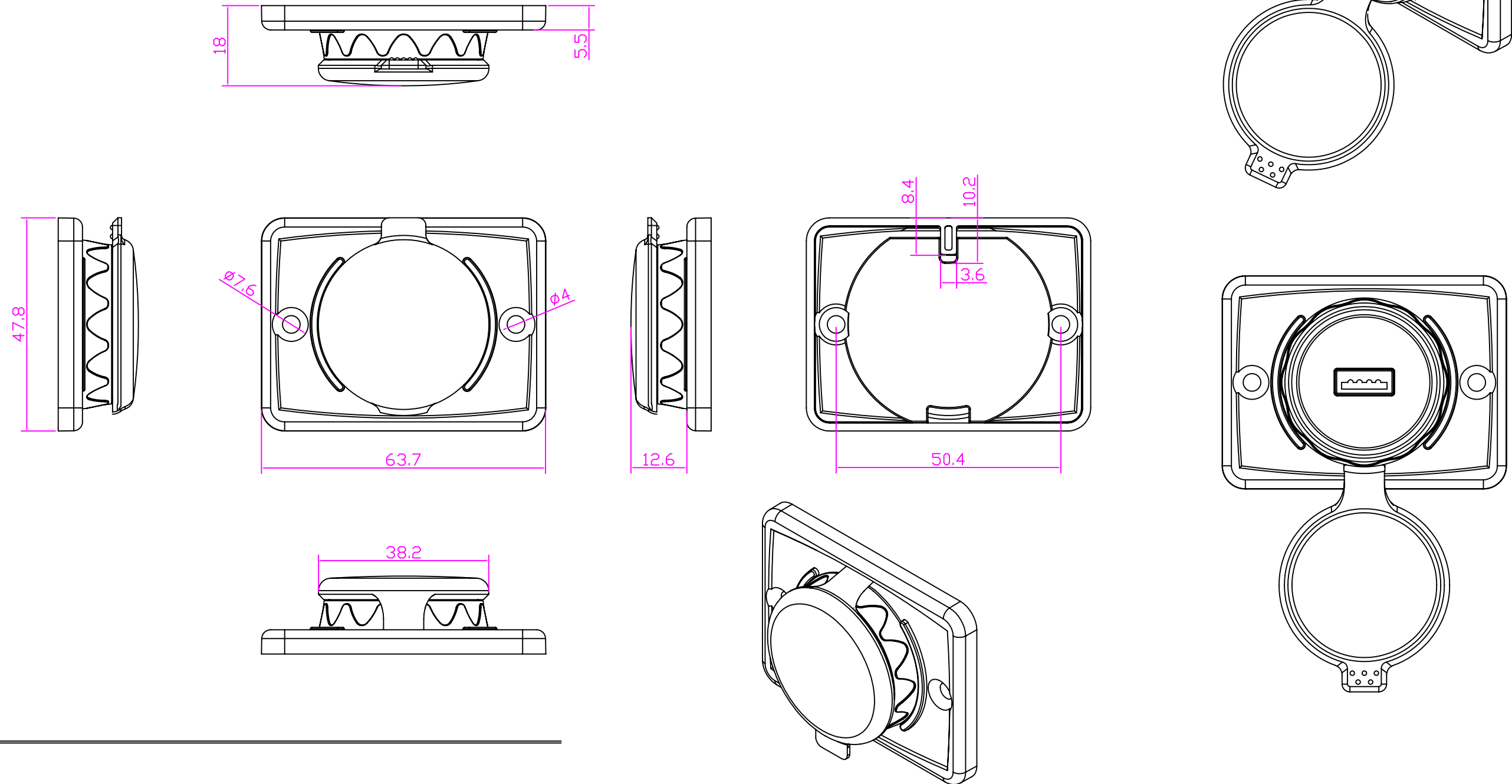
Technical specifications:

Output voltage:

USB: 5V/2.4A

Output power: 12w

Dimensions: 64\*47.8\*18.1mm



**CARCLEVER®**