

Technical specifications:

Output voltage:

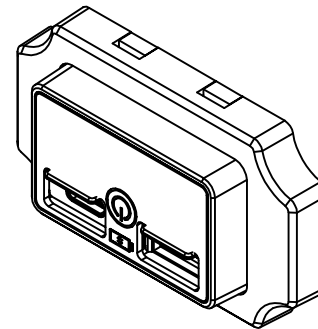
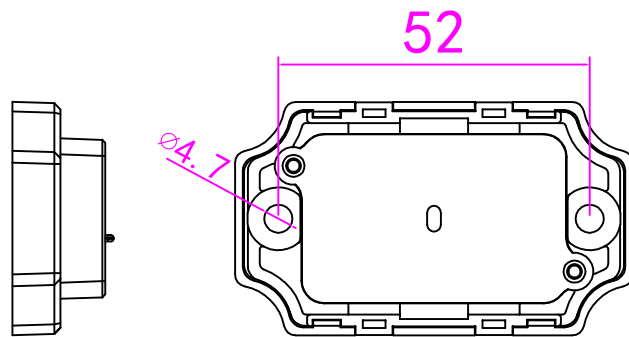
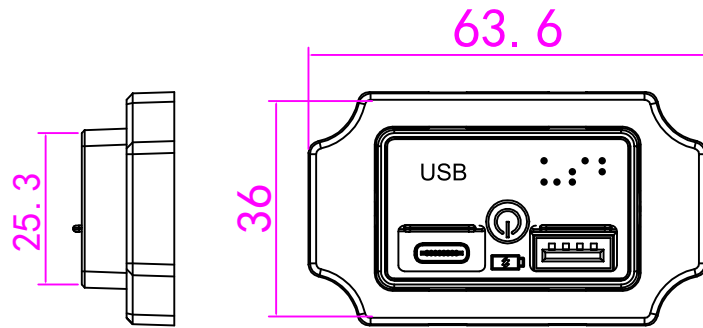
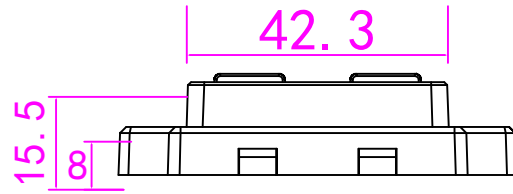
USB: 5V/3A, 9V/2A, 12V/1.5A (Max)

Type-C: 5V/3A, 9V/3A, 12V/2.5A (Max)

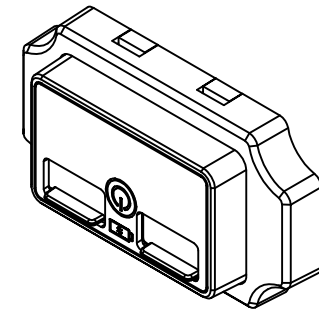
Interface: PD+QC3.0

Output power: PD(30W)+ QC3.0 (18W)

Dimensions: 66.5\*39\*17mm



USB防水盖打开



USB防水盖合起